



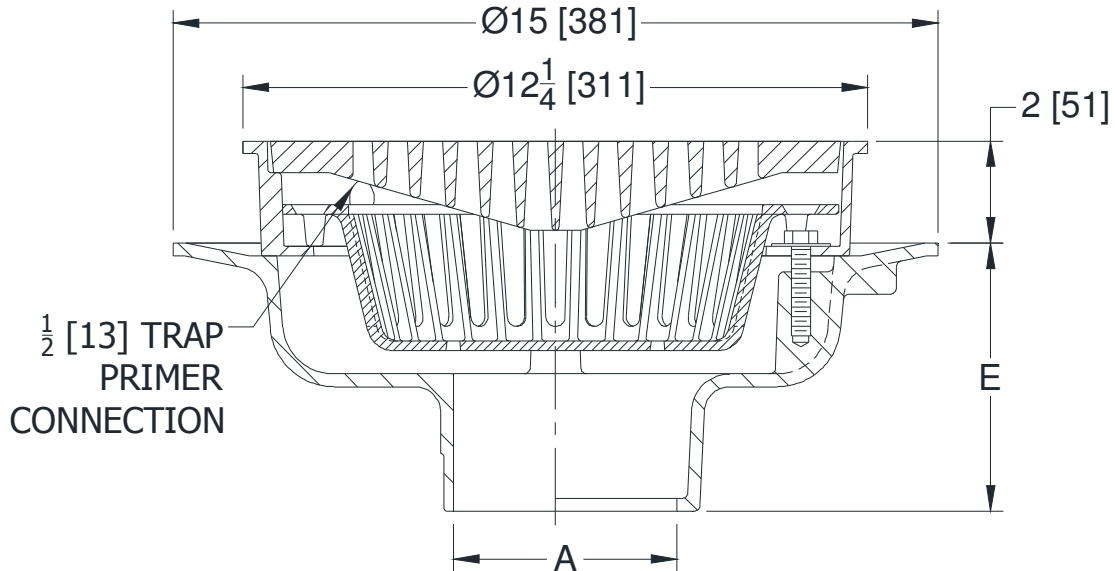
**Z541**

12-1/4 [311] DIAMETER TOP HEAVY-DUTY DRAIN

SPECIFICATION SHEET

TAG \_\_\_\_\_

Dimensional Data (inches and [ mm ]) are Subject to Manufacturing Tolerances and Change Without Notice



A- Pipe Size In. [mm]	Approx. Wt. Lbs. [kg]	Grate Open Area Sq. In. [cm <sup>2</sup> ]
2, 3, 4 [51, 76, 102]	51 [19]	30 [194]
6 [152]	52 [19]	
8 [203]	53 [20]	

**ENGINEERING SPECIFICATION: ZURN Z541**

12-1/4" [311mm] Diameter top drain. Dura-Coated cast iron body with bottom outlet, seepage pan and combination membrane flashing clamp and frame with integrated trap primer and plug, with anti-tilt heavy-duty slotted duresist grate and suspended polypropylene sediment bucket.

**OPTIONS** (Check/specify appropriate options)

**PIPE SIZE**

- 3, 4, 6 [76, 102, 152]
- 3, 4, 6 [76, 102, 152]
- 2, 3, 4, 6, 8 [51, 76, 102, 152, 203]
- 2, 3, 4, 6, 8 [51, 76, 102, 152, 203]
- 2, 3, 4 [51, 76, 102]

(Specify size/type) **OUTLET**

- \_\_\_ IC Inside Caulk
- \_\_\_ IG Inside Gasket
- \_\_\_ IP Threaded
- \_\_\_ NH No-Hub
- \_\_\_ NL Neo-Loc

**'E' BODY HT. DIM.**

- 5-1/4 [133]
- 5-1/4 [133]
- 3-3/4 [95]
- 5-1/4 [133]
- 4-5/8 [117]

**PREFIXES**

- \_\_\_ Z D.C.C.I. Body and Top\*
- \_\_\_ ZN D.C.C.I. Body with Polished Nickel Bronze Top (Add 3/16 [5] to 2 [51] Dim and 3/4 [19] to 12-1/4 [311] Dim.)

**SUFFIXES**

- \_\_\_ -AR Acid Resisting Epoxy Coated Cast Iron
- \_\_\_ -DX Dex-o-tex Flange
- \_\_\_ -G Galvanized Cast Iron
- \_\_\_ -H Hinged Grate
- \_\_\_ -HP Heel-Proof Grate
- \_\_\_ -LY (Less) Sediment Bucket
- \_\_\_ -S Secondary Strainer
- \_\_\_ -SA Stabilizer Assembly (See Z1036)
- \_\_\_ -SS Stainless Mesh Liner for Bucket
- \_\_\_ -TC Neo-Loc Test Cap Gasket (2,3,4 [51,76,102] NL Bottom Outlet Only)
- \_\_\_ -TG Tractor Grate
- \_\_\_ -TS Top Secured with Slotted Screws
- \_\_\_ -V Backwater Valve (See Z1099)
- \_\_\_ -VP Vandal-Proof Secured Top
- \_\_\_ -WS Wide Slotted Grate (50 sq. in open)
- \_\_\_ -YC Cast Iron Sediment Bucket
- \_\_\_ -90 90° Threaded Side Outlet Body (2, 3, 4, 6 [51, 76, 102, 152])

\* Regularly furnished unless otherwise specified.