

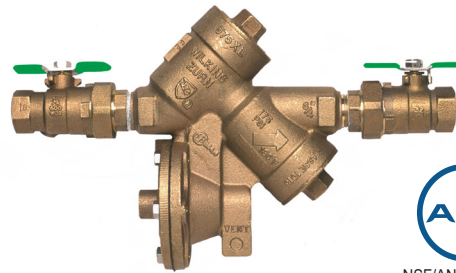


Model 975XL2U

Reduced Pressure Principle Assembly with Union Ball Valves

Application

Ideal for use where Lead-Free* valves are required. Designed for installation on potable water lines to protect against both backsiphonage and backpressure of contaminated water into the potable water supply. The Model 975XL2U provides protection where a potential health hazard exists.



Standards Compliance

(Includes sizes 3/4", 1", 1-1/2", 2")

- ASSE® Listed 1013
- IAPMO® Listed
- CSA® Certified
- AWWA compliant C511
- Approved by the Foundation for Cross Connection Control and Hydraulic Research at the University of Southern California
- Meets the requirements of NSF/ANSI/CAN 61*
*(0.25% MAX. WEIGHTED AVERAGE LEAD CONTENT)

Materials

Main valve body	Low Lead Cast Bronze ASTM B 584
Access covers	Low Lead Cast Bronze ASTM B 584
Fasteners	Stainless Steel, 300 Series
Elastomers	Silicone (FDA Approved)
	Buna Nitrile (FDA Approved)
Polymers	Noryl™
Springs	Stainless Steel, 300 series
Ball valve handles	Stainless Steel

Options

(Suffixes can be combined)

- with full port QT ball valves (standard)
- MS - with integral relief valve monitor switch
- S - with lead free bronze "Y" type strainer

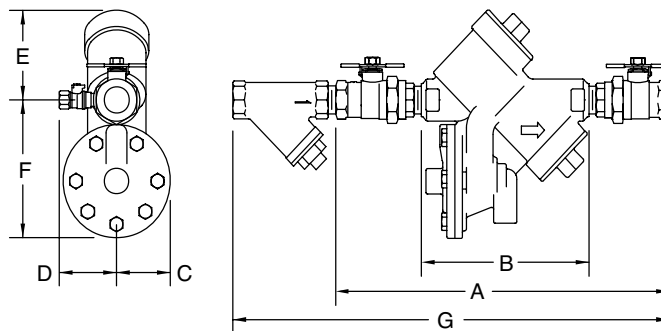
Accessories

- Air gap (Model AG)
- Repair kits (rubber only)
- Thermal expansion tank (Mdl. XT)
- Soft seated check valve (Model 40XL2)
- Shock arrester (Model 1260XL)
- QT-SET Quick Test Fitting Set

Features

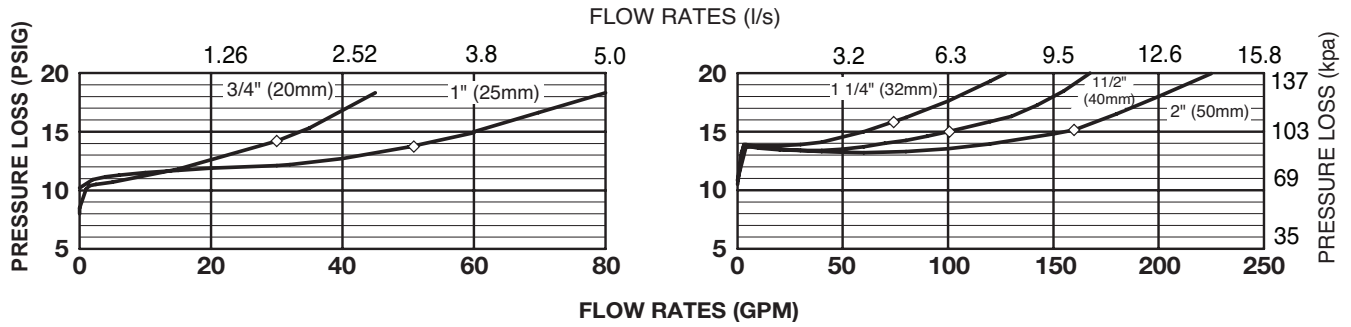
Sizes:	3/4", 1", 1-1/4", 1-1/2", 2"
Maximum working water pressure	175 PSI
Maximum working water temperature	180°F
Threaded connections (FNPT)	ANSI B1.20.1

Relief Valve discharge port:	
3/4" - 1"	0.63 sq. in.
1 1/4" - 2"	1.19 sq. in.



MODEL SIZE	DIMENSIONS (approximate)															WEIGHT			
	A		B LESS BALL VALVES		C		D		E		F		G		LESS BALL VALVES		WITH BALL VALVES		
	in.	mm	in.	mm	in.	mm	in.	mm	in.	mm	in.	mm	in.	mm	lbs.	kg	lbs.	kg	
3/4	20	14	356	7 3/4	197	2 1/8	54	3	76	3 1/2	89	5	127	18 1/8	460	10	4.5	12	5.5
1	25	14 1/4	362	7 3/4	197	2 1/8	54	3	76	3 1/2	89	5	127	19	483	10	4.5	14	6.4
1 1/4	32	19	483	10 15/16	278	2 3/4	70	3 1/2	89	5	127	6 3/4	171	24 9/16	624	22	10	28	12.7
1 1/2	40	20	508	10 15/16	278	2 3/4	70	3 1/2	89	5	127	6 3/4	171	26 11/16	678	22	10	28	12.7
2	50	21 1/4	540	10 15/16	278	2 3/4	70	3 1/2	89	5	127	6 3/4	171	29 1/4	743	22	10	34	15.4

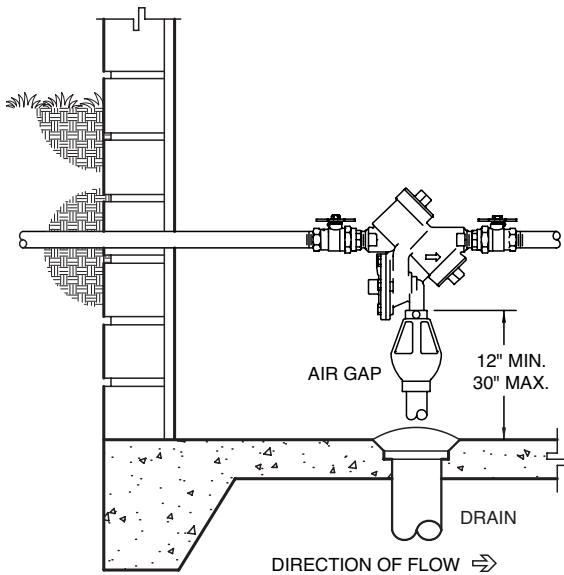
MODEL 975XL2U 3/4", 1", 1 1/4", 1 1/2" & 2" (STANDARD & METRIC)



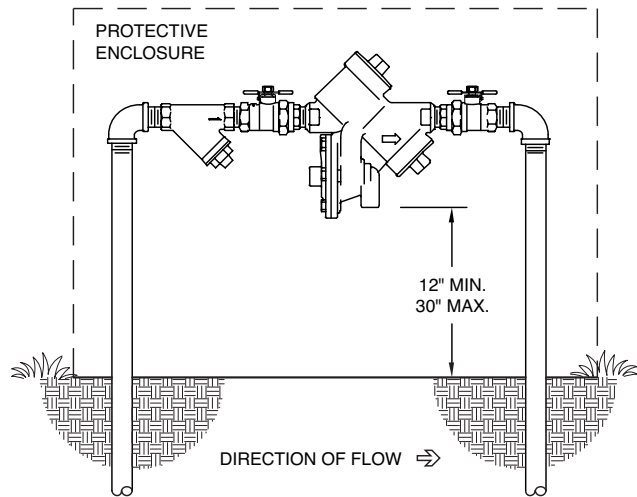
Typical Installation

Local codes shall govern installation requirements. To be installed in accordance with the manufacturers' instructions and the latest edition of the Uniform Plumbing Code. Unless otherwise specified, the assembly shall be mounted at a minimum of 12" (305mm) and a maximum of 30" (762mm) above adequate drains with sufficient side clearance for testing and maintenance. The installation shall be made so that no part of the unit can be submerged or where relief valve discharge could cause damage.

Capacity thru Schedule 40 Pipe				
Pipe size	5 ft/sec	7.5 ft/sec	10 ft/sec	15 ft/sec
1/8"	1	1	2	3
1/4"	2	2	3	5
3/8"	3	4	6	9
1/2"	5	7	9	14
3/4"	8	12	17	25
1"	13	20	27	40
1 1/4"	23	35	47	70
1 1/2"	32	48	63	95
2"	52	78	105	167



INDOOR INSTALLATION



OUTDOOR INSTALLATION

Specifications

The Reduced Pressure Principle Backflow Preventer shall be certified to NSF/ANSI/CAN 61 shall be ASSE® 1013 Listed, rated to 180° F and supplied with full port union ball valves. The main body and access covers shall be low lead bronze (ASTM B 584), the seat ring and all internal polymers shall be Noryl™ and the seat disc elastomers shall be silicone. The first check shall be accessible for maintenance without removing the relief valve. If installed indoors, the installation shall be supplied with integral monitor switch and air gap piped to a properly sized drain. The Reduced Pressure Principle Backflow Preventer shall be a ZURN WILKINS Model 975XL2U.