



SYMMONS® Origins®

Location:



SLC9612CA

Two Handle Center set Lavatory Faucet

Specification Submittal

Model Numbers

- SLC9612CA** Two handle center set lavatory faucet with lift rod and metal drain assembly

Options/ Modifications

- 05** **0.5 gpm (1.9 L/min) flow rate restrictor**
- STN** **Satin Nickel finish**

Note: Append appropriate suffix to model number.

Compliance

- ASME A112.18.1/CSA B125.1
- NSF/ANSI/CAN 61: Q<1, NSF/ANSI 372
- WaterSense 1.0 gpm (3.8 L/min)



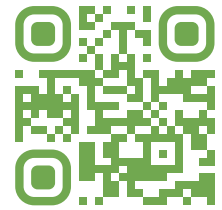
Feature Highlights

- 4" mount
- Quarter turn ceramic cartridges
- 1/2" IPS inlet connections
- 1.0 gpm (3.8 L/min) standard flow rate
- Components shall be metal and nonmetallic construction
- Plated in standard polished chrome finish
- Included red and blue indicators

Warranty

Limited Lifetime - to the original end purchaser in consumer/residential installations.

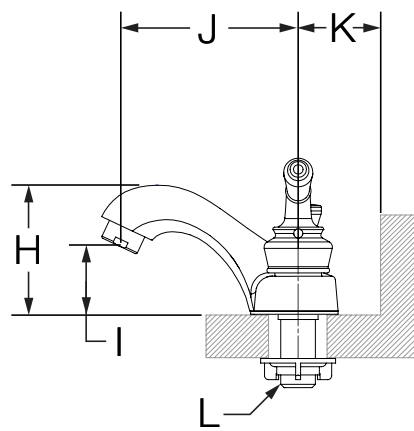
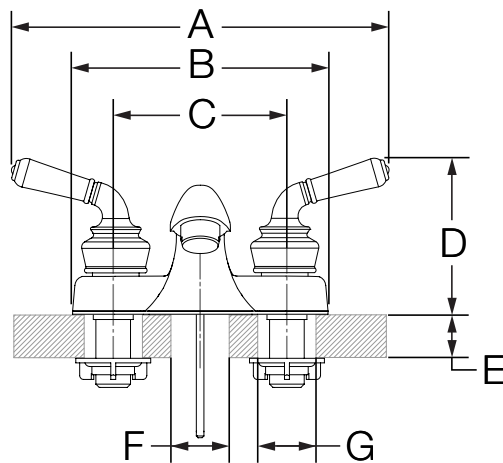
10 Years - for commercial/industrial installations. Refer to www.symmons.com/warranty for complete warranty information.



Architectural/ Engineering Specification

Symmons Origins Two handle center set lavatory faucet _____ Includes 4" mount, Quarter turn ceramic cartridges, 1/2" IPS inlet connections, 1.0 gpm (3.8 L/min) standard flow rate, Components shall be metal and nonmetallic construction, Plated in standard polished chrome finish, Included red and blue indicators. 10 Year Commercial Warranty. ASME A112.18.1/CSA B125.1, NSF/ANSI/CAN 61: Q<1, NSF/ANSI 372, WaterSense 1.0 gpm (3.8 L/min) compliant. Available options: "05 - 0.5 gpm (1.9 L/min) flow rate restrictor", "STN - Satin Nickel finish".

Dimensions



Note: Dimensions subject to change without notice.

Measurements	
A	8 7/8", 225 mm
B	6", 152 mm
C	4", 102 mm
D	3-3/4", 95 mm
E	Deck Thickness Ref. Max. 1-1/4", 32 mm
F	Hole Size Min. Ø 1", 25 mm Max. Ø 1-1/8", 29 mm
G	(2x) Hole Size Min. Ø 1-1/8", 29 mm Max. Ø 1-1/4", 32 mm
H	3-1/8", 79 mm
I	1-5/8", 41 mm
J	4-1/4", 108 mm
K	1-3/4", 44 mm
L	1/2-14 NPSM