

Chelsea™ Pull Down Kitchen Faucet

FEATURES:

- 1.8 GPM (6.8 L/min) flow rate
- Brass construction
- Side lever handle
- 1/4 turn ceramic cartridge
- Flexible stainless steel inlet supply lines included, with 3/8" compression fittings and 1/2" threaded adaptors
- Two function pull down sprayer: aerated and spray
- Corrosion resistant finishes

STOCK FINISHES:



PC MB SS

ADD-ONS:

- SB-DECK: Kitchen Deck Plate (PC, MB, SS)

STANDARDS:

- ASME A112.18.1/CSA B125.1 certified
- NSF/ANSI 61 certified
- NSF 372 certified
- CEC (CA Energy Commission) certified
- ADA compliant

WARRANTY:

Visit www.speakman.com for full product warranty information

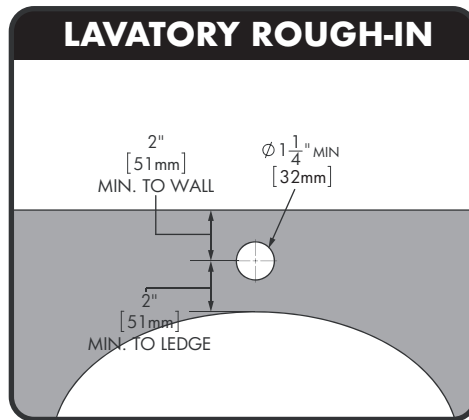
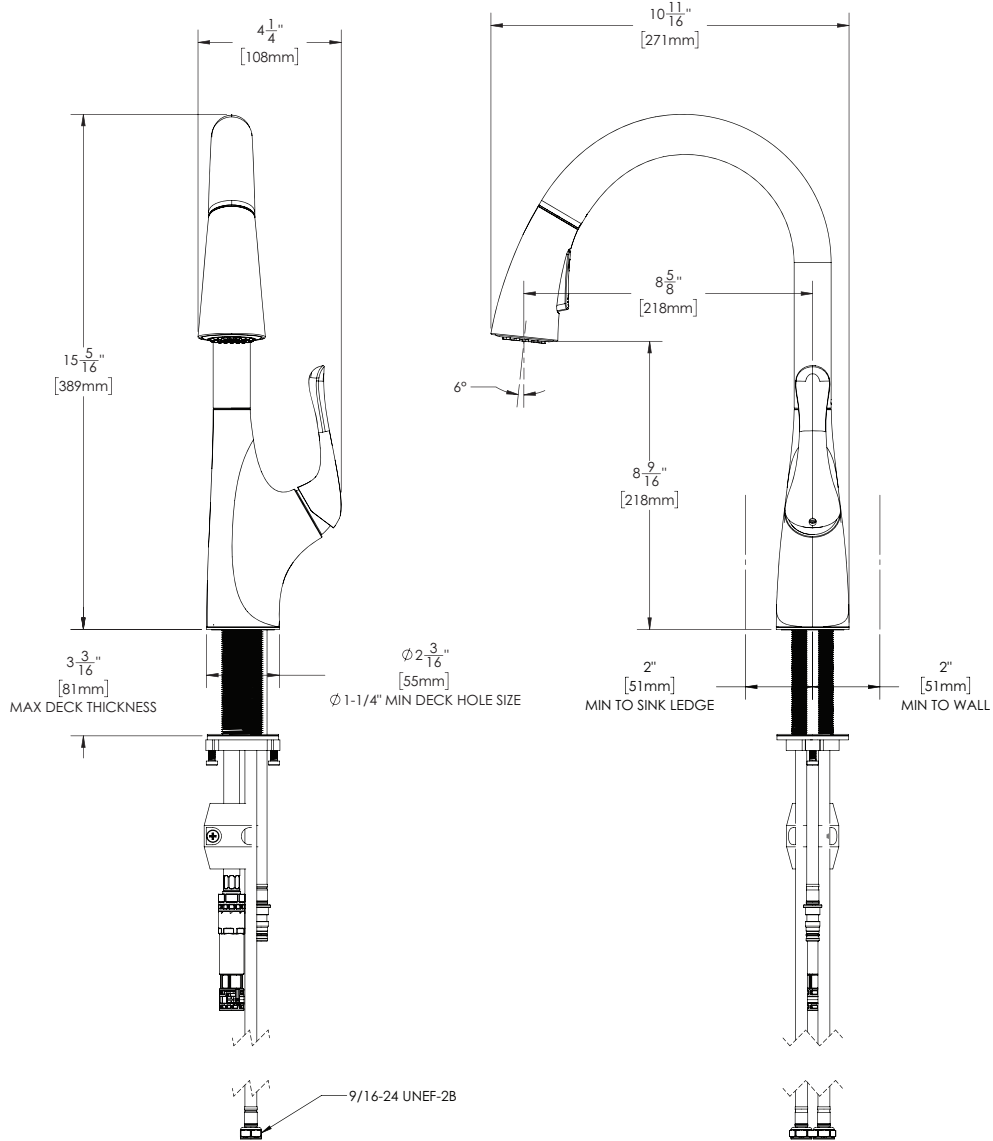
- Limited Lifetime Warranty (consumer)
- 5 Year Limited Warranty (commercial)



Information continues on next page

1. All dimensions are in inches (millimeters) unless otherwise specified and are subject to change without notice.

Chelsea™ Pull Down Kitchen Faucet



1. All dimensions are in inches (millimeters) unless otherwise specified and are subject to change without notice.

Architect/Engineer Approval Space:

P: 800-537-2107
 F: 800-977-2747
 W: WWW.SPEAKMAN.COM
 R: 03-SEPTEMBER 2021