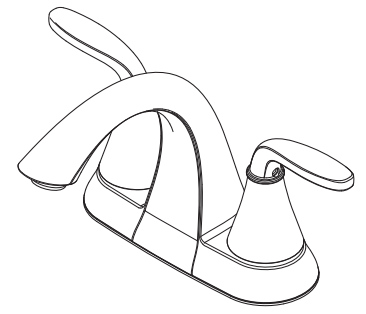


- LG48-WFOC Finish(C)
- LG48-WFOK Finish(K)
- LG48-WFOY Finish(Y)



Specifications

Features

- 1.2 GPM Flow Rate
- 3-Hole Installation
- Fixed Hubs
- Copper Inlet Line Kit Included
- PVD Finish (K Finish Only)
- Push & Seal™ Pop-Up
- Pforever Seal™ Ceramic Disc Valves
- Pforever Warranty®

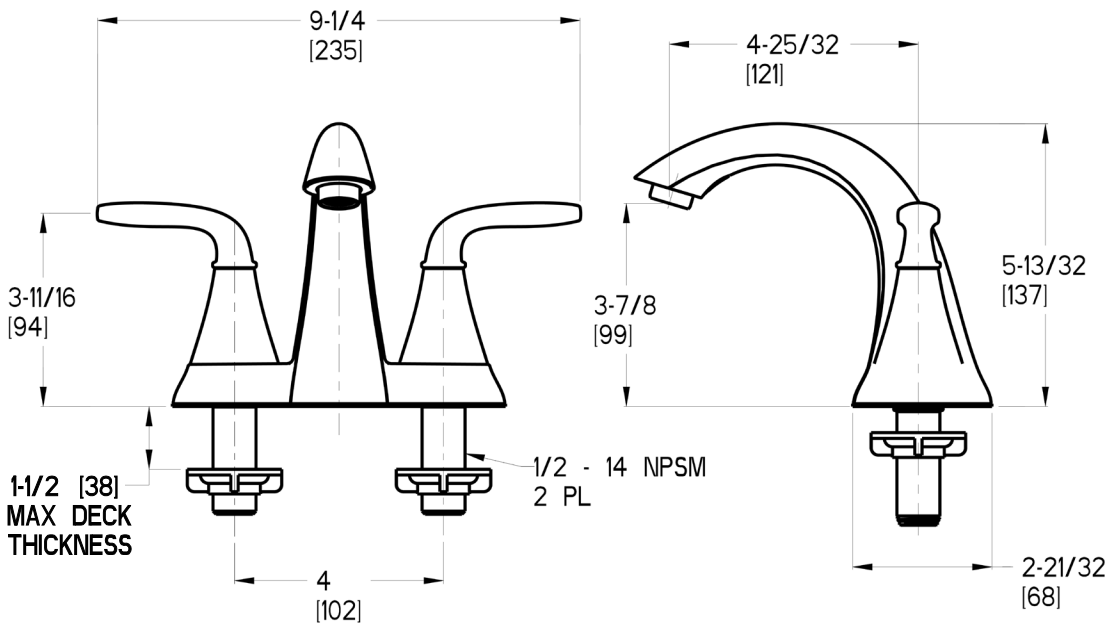
Code Compliance

Pfister products are designed and manufactured in compliance with the following standards and codes:

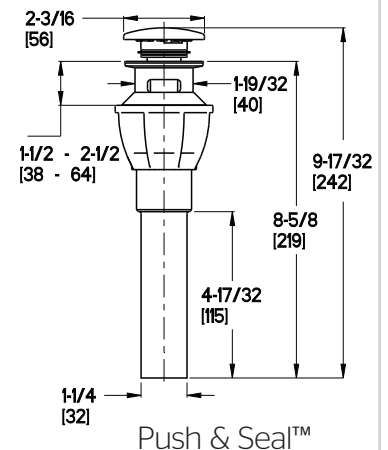
- IAPMO Certified to ASME A112.18.1/CSA B125.1
- NSF 61/9 AnnexG Certified
- EPA WaterSense Certified
- CEC Certified/CALGreen compliant
- ADA Compliant - ANSI A117.1 (Lever Handles Only)



Dimensions



Optional Aerators Available	
GPM	Part Number
0.35 GPM	941-4390
0.5 GPM	941-8200
1.0 GPM	941-7069



Ø1 Min to Ø1-1/2 Max. Deck Hole Openings