

- LG48-WRPB Finish(B)
- LG48-WRPC Finish(C)
- LG48-WRPK Finish(K)
- LG48-WRPY Finish(Y)

- Two-Handle
- 3-Hole Installation
- Pforever Seal™

Specifications

Features

- 1.2 GPM Flow Rate
- Fixed Hubs
- Includes Push & Seal™ Drain
- TiteSeal™ Technology
- Washerless Cartridges
- Limited Lifetime Warranty



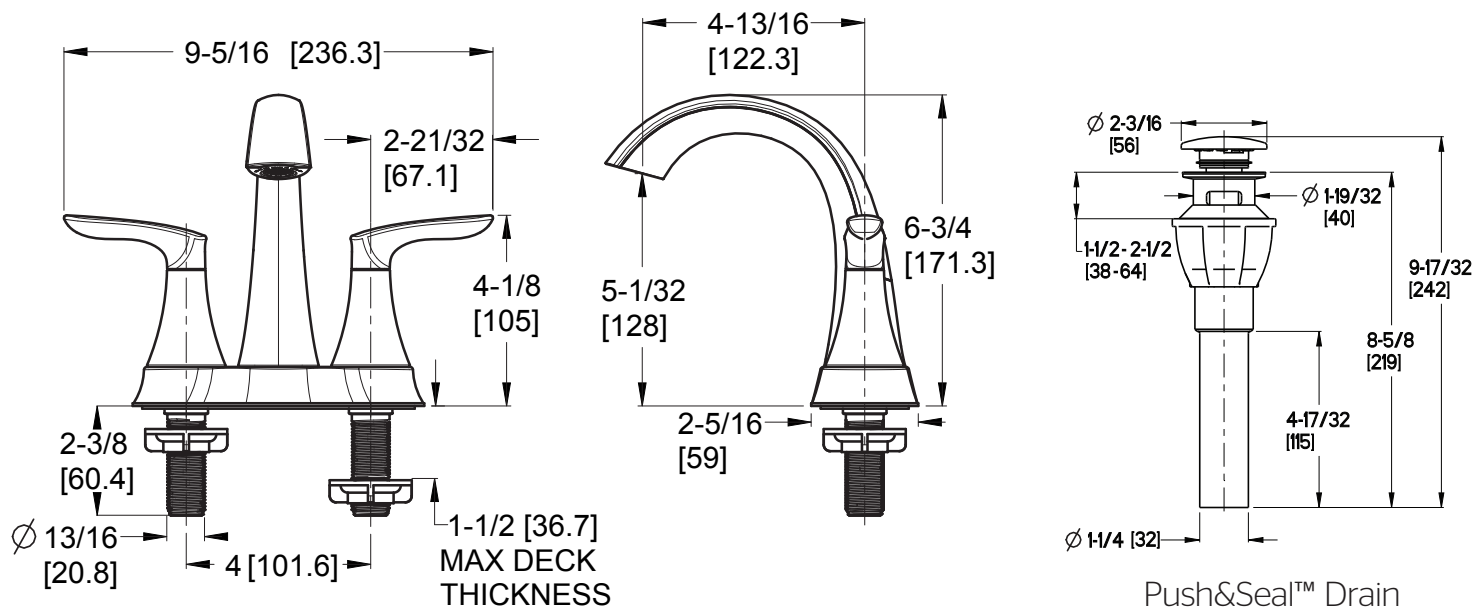
Code Compliance

Pfister products are designed and manufactured in compliance with the following standards and codes:

- IAPMO Certified to ASME A112.18.1/CSA B125.1
- EPA WaterSense Certified
- NSF/ANSI/CAN61:Q≤1
- CEC Certified/CALGreen compliant
- ADA Compliant - ANSI A117.1 (Lever Handles Only)



Dimensions



Ø1 Min to Ø1-1/2 Max. Deck Hole Openings