



## H-1054 - Swing Check Valves - Hard Seat

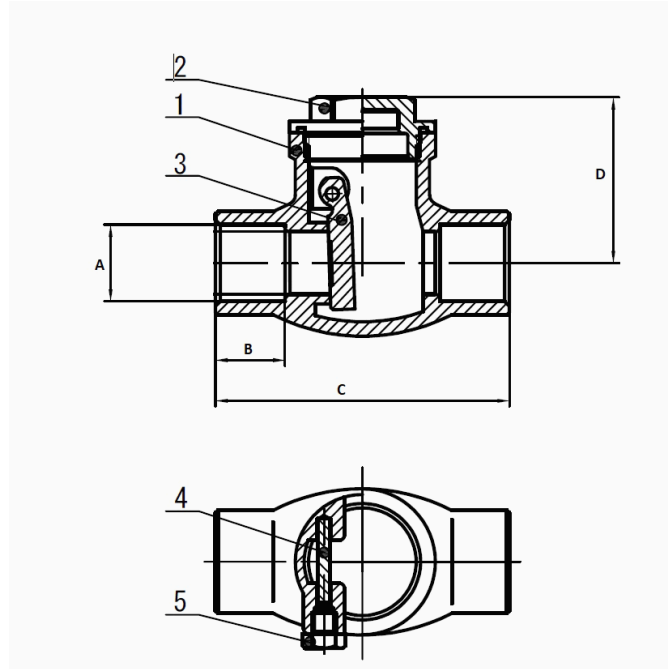
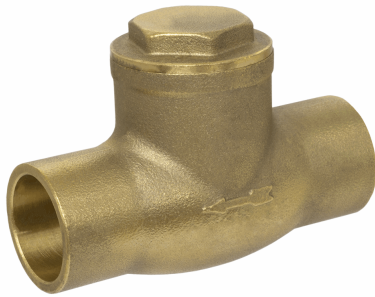
### H-1054W Series

### Forged Brass Swing Check Valve

Hard Seat

### Certifications

Certified to NSF/ANSI 61 & 372



NO.	DESCRIPTION	MATERIAL
1	Body	Lead-Free DZR Brass
2	Cap	Lead-Free DZR Brass
3	Swing Check	Lead-Free DZR Brass
4	Pin	Stainless Steel
5	Nut	Brass

	Size (in)	Item#	Weight (lbs)	CTN Qty	Case Qty	A	B	C	D	Cv
<b>FIP</b>						<b>200 PSI CWP Max/125 WSP</b>				
	1/2"	H-10542W	0.40	10	120	0.51	0.55	2.07	1.34	5
	3/4"	H-10543W	0.60	10	80	0.71	0.65	2.38	1.48	11.7
	1"	H-10544W	0.84	5	60	0.93	0.71	2.91	1.68	23.6
	1 1/4"	H-10545W	1.38	5	40	1.22	0.83	3.25	2.06	44.1
	1 1/2"	H-10546W	1.97	5	30	1.50	0.87	3.80	2.27	70.9
	2"	H-10547W	2.71	2	12	1.73	0.93	4.29	2.67	101.6
<b>SWT</b>						<b>200 PSI CWP Max/125 WSP</b>				
	1/2"	H-10622W	0.41	10	120	0.51	0.57	2.28	1.34	5
	3/4"	H-10623W	0.62	10	80	0.71	0.73	3.03	1.48	11.7
	1"	H-10624W	0.89	5	60	0.91	0.91	3.35	1.68	22.6
	1 1/4"	H-10625W	1.45	5	40	1.26	0.96	4.28	2.06	47
	1 1/2"	H-10626W	2.05	5	30	1.48	1.10	4.75	2.27	69.1
	2"	H-10627W	2.97	2	10	1.73	1.42	5.41	2.67	101.6

Specifications: Designed for use with water, oil, glycol mix in residential or commercial plumbing and heating systems. Threaded (NPT) ends comply with ANSI B1.20.1. Solder joint temperature ratings are per ASME B16.18 Annex A for 95-5 solder. Do not silver braze or overheat valves when soldering.

