

## STANDARD SERIES

# Badger 5XP®



### Submittal Sheet

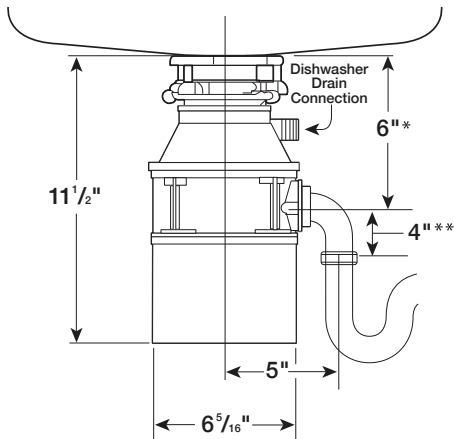
This model offers the following features and benefits:

- **Lift & Latch®** technology for easier sink connection
- 3/4 Horsepower Heavy Duty Motor (Quiet Dura-Drive® Induction Motor)
- *We Come To You®* 4-Year In-Home Limited Warranty
- Stainless Steel Grind Components
- Space-Saving Compact Design
- Available with or without a factory installed power cord.

### Specifications

Type of Feed	Continuous
On/Off Control	Wall Switch
Motor	Single Phase
HP	3/4
Volts	120
HZ	60
RPM	1725
Amp. (Avg. Load)	9.5
Time Rating	Intermittent
Lubrication	Permanently Lubricated Upper & Lower Bearings
Shipping Weight (Approx.)	15 lbs. 2 oz. (without cord) 15 lbs. 6 oz. (with cord)
Overall Height	12-5/8"
Grind Chamber Capacity	26 oz.
Motor Protection	Manual Reset Overload
Average Water Usage	Approx. 1 Gallon per Person Per Day
Average Electrical Usage	3-4 kWh per Year
Drain Connection	1-1/2" Cushioned Slip Joint
Dishwasher Drain Connection	Yes
Factory Installed Power Cord	Available with or without

### Dimensions



\* Distance from bottom of sink to center line of disposer outlet. Add 1/2" when stainless steel sinks are used.

\*\* Length of tailpipe from center line of disposer outlet to end of tailpipe. NOTE: Plumb waste line to prevent standing water in disposer motor housing.

### Sample Specification

Food Waste Disposer(s) shall be InSinkErator Badger 5XP®, continuous feed, with 3/4 HP. motor, stainless steel grinding elements with two stainless steel 360° swivel lugs. Exclusive self-service wrench.

### Warranty

4-Year *We Come to You®* Limited In Home Warranty

\* The complete InSinkErator warranty is included in the Care & Use Booklet packed with each unit.

### Job Specifications



1-800-558-5700  
www.insinkerator.com



Food waste is roughly 80% water. By using your disposal regularly, you can help divert food waste from landfills and reduce greenhouse gas emissions. Make sustainability a family affair by using your disposal. After all, the smallest changes can make the biggest impact.

