

PRODUCT SPECIFICATIONS

Countertop 10" Fountain Non-Filtered Non-Refrigerated Stainless Steel. Chilling Capacity of (gallons per hour) of 50° F drinking water, based on 80° F inlet water and 90° F ambient, per ASHRAE 18 testing. Furnished with Push Button bubbler. Mechanical Top Bubbler Button activation. Product shall be Countertop mounted, for Indoor + Outdoor applications, serving 1 station(s).

| | |
|--|-------------------------------|
| Finish: | Stainless Steel |
| Power: | No Electrical Required |
| Bubbler Style: | Push Button |
| Activation by: | Mechanical Top Bubbler Button |
| Mounting Type: | Countertop |
| Dimensions (L x W x H): | 9-7/8" x 9-7/8" x 3-1/4" |
| Approx. Shipping Weight: | 5 lbs. |
| Installation Location: | Indoor + Outdoor |
| No. of Stations Served: | 1 |
| *Based on 80° F inlet water & 90° F ambient air temp for 50° F chilled drinking water. | |
| **When used in non-temperature controlled environments, unit(s) must be adequately winterized and/or protected from extreme heat to prevent damage where climates dictate. | |

- Mechanically-Activated unit continues to supply water in event of service disruptions.



Included with Product: Fountain
Ships in one box.

A Century of Tradition and Quality. For more than 100 years, Elkay has been making innovative products and providing exceptional customer care. We take pride in offering plumbing products that make life easier, inspire change and leave the world a better place.



PRODUCT COMPLIANCE

ASME A112.19.3/CSA B45.4
NSF/ANSI 61 (Q≤1) & 372 (lead free)

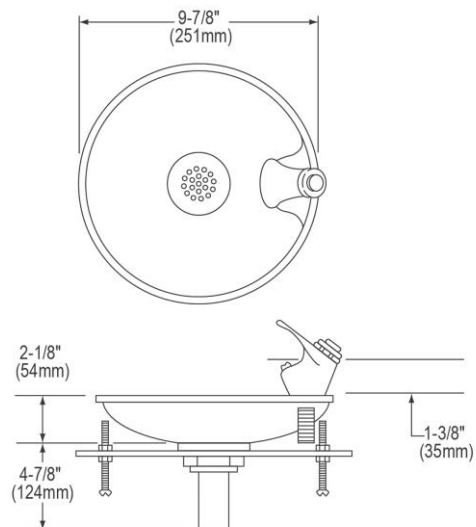


[Installation Instructions \(PDF\) - 98712C](#)




Water Systems are warranted for 12 months from date of installation. **Warranty pertains to drinking water applications only. Non-drinking water applications are not covered under warranty.**

[Warranty \(PDF\)](#)

PART: _____ QTY: _____
 PROJECT: _____
 CONTACT: _____
 DATE: _____
 NOTES: _____
 APPROVAL: _____



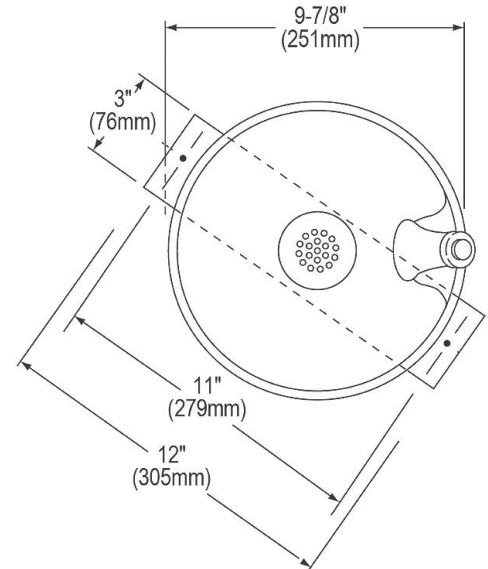
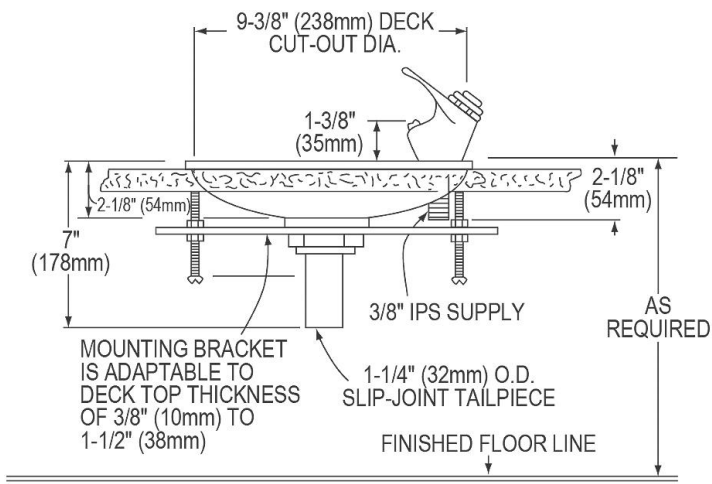
In keeping with our policy of continuing product improvement, Elkay reserves the right to change product specifications without notice. Please visit elkay.com for the most current version of Elkay product specification sheets. This specification describes an Elkay product with design, quality, and functional benefits to the user. When making a comparison of other producers' offerings, be certain these features are not overlooked.

| Optional Accessories | | |
|------------------------|--|---|
| EWF172 | Universal Filtration Kit (1500-Gallon) Spec Sheet (PDF) |  |
| LK1110 | Glass Filler Spec Sheet (PDF) |  |
| LK1114 | Glass Filler Chrome 2-1/2" x 10" Spec Sheet (PDF) |  |

In keeping with our policy of continuing product improvement, Elkay reserves the right to change product specifications without notice. Please visit elkay.com for the most current version of Elkay product specification sheets. This specification describes an Elkay product with design, quality, and functional benefits to the user. When making a comparison of other producers' offerings, be certain these features are not overlooked.

INSTALLER NOTE

This drinking fountain is furnished with a bubbler and valve including all connecting fittings which are manufactured of completely lead free material. Recommended that shut off valve and supply tubing supplied by others be non-metallic.



NOTE : Rough-in dimensions may vary 1/2" (13mm) ±. Rubber can be mounted on right or left as desired.

In keeping with our policy of continuing product improvement, Elkay reserves the right to change product specifications without notice. Please visit elkay.com for the most current version of Elkay product specification sheets. This specification describes an Elkay product with design, quality, and functional benefits to the user. When making a comparison of other producers' offerings, be certain these features are not overlooked.