



Thermostatic cartridge With controller unit Ø 51 x 139 mm, 13.2 gpm -

SPARE PARTS

90 15 02 006 01 90





Thermostatic cartridge With controller unit Ø 51 x 139 mm, 13.2 gpm -

SPARE PARTS

90 15 02 006 01 90

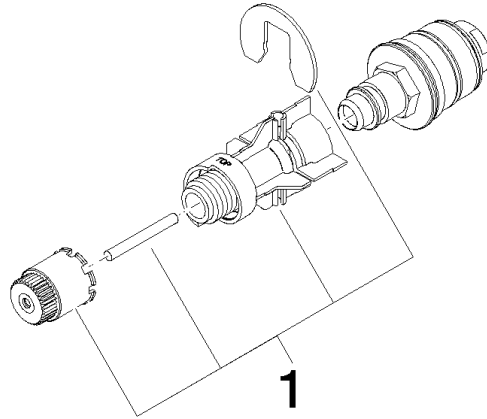


Thermostatic cartridge With controller unit Ø 51 x 139 mm, 13.2 gpm -

SPARE PARTS

90 15 02 006 01 90

90 15 02 006 01 90



Spare parts list

Number	Item Number	Designation	Number of units	Lead time
1	90 30 40 006 00 90	Automatic flow rate regulator Regulator Thermostat complete -	1.00	2