

For Residential and Commercial Applications

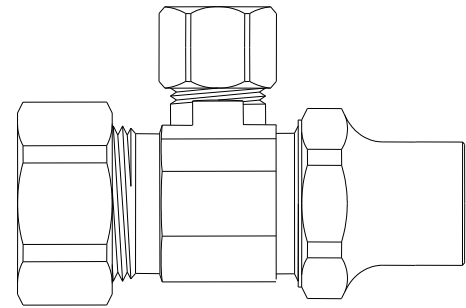
| | | | |
|----------------|--|----------------------|--|
| Job Name | | Engineer / Architect | |
| Job Location | | Wholesaler | |
| Submittal Date | | Contractor | |

SCR1B/SCR09/SCR19/SCR39/SSCR19X Multi-Turn Angle Stop – Compression x Compression

Use: For use in potable water distribution systems in accessible locations only. Not intended for recirculation systems/continuous use of temperatures above 115°F. For those applications, use our KT™ series ball stop

Design Features:

- **Machined one-piece brass body** provides strength, durability, and long-lasting performance
- **Loose key handle** provides a secure grip for trouble-free on/off operation
- **Removable loose key handle** helps protect against accidental stop operation during rough-ins
-



Operating Specifications:

Temperature: 40°- 140° F
Pressure: 125 PSI maximum

| STOP MATERIAL SPECIFICATIONS | |
|---------------------------------|----------------------|
| Body | <i>Brass, plated</i> |
| Lock Shield Stem | <i>Brass, plated</i> |
| Bib & Packing Washer | <i>Rubber</i> |
| Lock Shield | <i>Brass, plated</i> |
| Loose Key | <i>Zinc die cast</i> |
| Compression Nut | <i>Brass, plated</i> |
| Compression Sleeve | <i>Brass</i> |



Excludes loose key handle

Part Listing:

- SCR1BX C 3/8" nom compression x 3/8" OD compression with loose key, chrome plated
- SCR09X C 1/2" nom compression x 1/4" OD compression with loose key, chrome plated
- SCR19X C 1/2" nom compression x 3/8" OD compression with loose key, chrome plated
- SCR19X C1 1/2" nom compression x 3/8" OD compression with loose key, chrome plated, window box
- SCR19X CM 1/2" nom compression x 3/8" OD compression with loose key, chrome plated, contractor pack
- SCR19L1X CB 1/2" nom compression x 3/8" OD compression with loose key, less nut, chrome plated, bulk
- SCR19X R 1/2" nom compression x 3/8" OD compression with loose key, rough brass
- SCR39X C 1/2" nom compression x 1/2" OD compression with loose key, chrome plated
- SCR39X C1 1/2" nom compression x 1/2" OD compression with loose key, chrome plated, window box
- SCR39X CM 1/2" nom compression x 1/2" OD compression with loose key, chrome plated, contractor pack

This specification and all information contained herein is the confidential and exclusive property of Brasscraft Manufacturing Company and shall not be disclosed to others without the written consent of Brasscraft Mfg. Co. This specification must be returned to Brasscraft Mfg. Co. if requested.

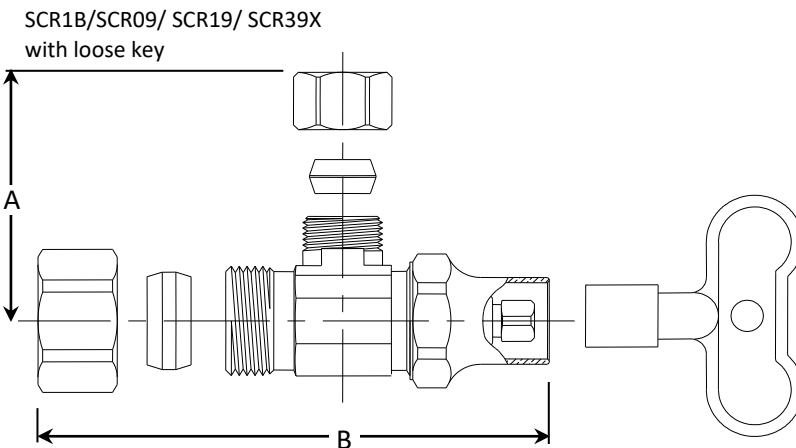
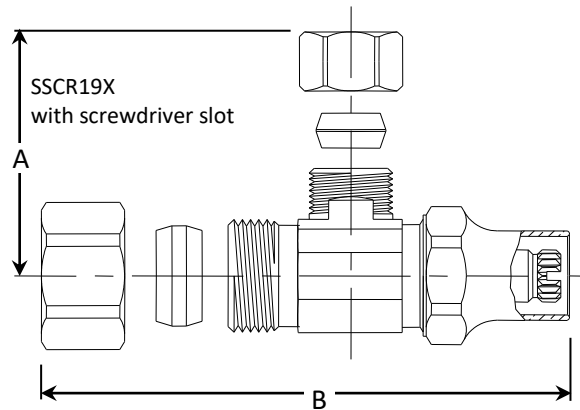


SCR1B/SCR09/SCR19/SCR39/SSCR19X Multi-Turn Angle Stop – Compression x Compression

Part Listing (con't):

- SSCR19X C 1/2" nom compression x 3/8" OD compression with screwdriver slot, chrome plated
- SSCR19X CM 1/2" nom compression x 3/8" OD compression with screwdriver slot, chrome plated, contractor pack

| PART DIMENSIONS (Inches) | | |
|--------------------------|--------|--------|
| Model | Dim. A | Dim. B |
| SCR1BX | 1.02 | 2.56 |
| SCR09X | 1.02 | 2.56 |
| SCR19X | 1.02 | 2.56 |
| SCR39X | 1.11 | 2.65 |
| SSCR19X | 1.02 | 2.56 |



Listings & Certifications:

- IAPMO listed to ASME A112.18.1 / CSA B125.1 (includes NSF/ANSI372 & NSF61)



Excludes loose key

This specification and all information contained herein is the confidential and exclusive property of Brasscraft Manufacturing Company and shall not be disclosed to others without the written consent of Brasscraft Mfg. Co. This specification must be returned to Brasscraft Mfg. Co. if requested.

BrassCraft®