


For Residential and Commercial Applications

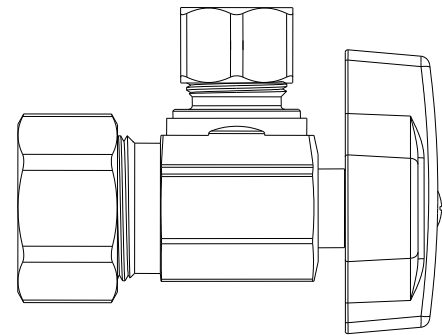
Job Name		Engineer / Architect	
Job Location		Wholesaler	
Submittal Date		Contractor	

KTCR09/19/39X 1/4 Turn Angle Ball Stop – Compression x Compression

Use: For use in potable water distribution systems in accessible locations only.

Design Features:

- **Precision-machined brass ball** is specially engineered and mated with PTFE seats to provide smooth operation
- **Two high-performance o-rings** withstand high temperatures and corrosion
- **Machined one-piece brass body** provides strength, durability and long-lasting performance
- **Blow-out proof brass stem** is assembled from the inside out with two o-rings to ensure safe, reliable performance
- **Plated stem** provides corrosion resistance and prevents o-ring damage
- **Metal handle** is designed for durability, corrosion resistance and a sleek appearance
- **Easy-to-remove handle** with screw attachment helps protect against accidental stop operation during rough-ins
- **100% leak tested**
- 



Operating Specifications:

Temperature: 40° - 180° F
Pressure: 125 PSI maximum

STOP MATERIAL SPECIFICATIONS	
Body	<i>Brass, plated</i>
Stem	<i>Brass, plated</i>
Seats	<i>PTFE</i>
Ball	<i>Brass, plated</i>
Stem O-rings	<i>Rubber</i>
Handle	<i>Zinc die cast</i>
Screw	<i>Steel, zinc plated</i>
Compression Sleeve	<i>Brass</i>
Compression Nut	<i>Brass, plated</i>

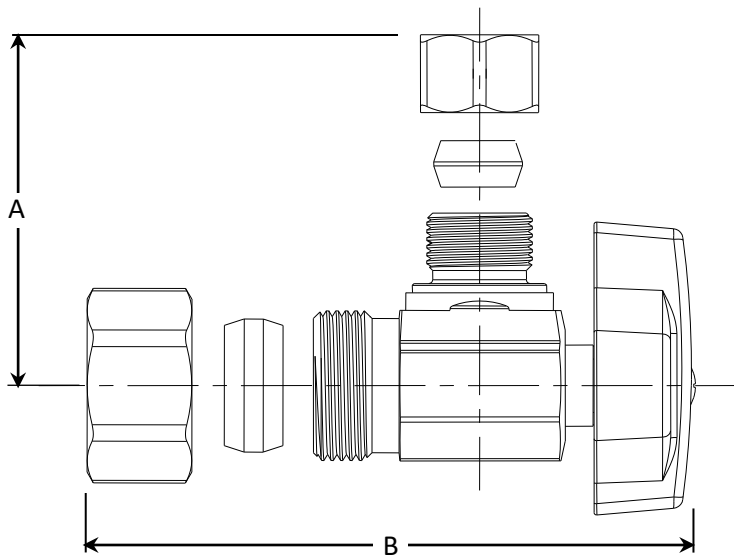
This specification and all information contained herein is the confidential and exclusive property of Brasscraft Manufacturing Company and shall not be disclosed to others without the written consent of Brasscraft Mfg. Co. This specification must be returned to Brasscraft Mfg. Co. if requested.

KTCR09/19/39X 1/4 Turn Angle Ball Stop – Compression x Compression

Part Listing:

- KTCR09X C 1/2" nom compression x 1/4" OD compression, chrome plated
- KTCR09X R 1/2" nom compression x 1/4" OD compression, rough brass
- KTCR19X C 1/2" nom compression x 3/8" OD compression, chrome plated
- KTCR39X C 1/2" nom compression x 1/2" OD compression, chrome plated

PART DIMENSIONS (Inches)		
Model	DIM. A	DIM. B
KTCR09X	1.04	2.36
KTCR19X	1.12	2.36
KTCR39X	1.13	2.36



Listings & Certifications:

- IAPMO listed to ASME A112.18.1 / CSA B125.1 (includes NSF/ANSI 372 and NSF/ANSI/CAN 61)



This specification and all information contained herein is the confidential and exclusive property of Brasscraft Manufacturing Company and shall not be disclosed to others without the written consent of Brasscraft Mfg. Co. This specification must be returned to Brasscraft Mfg. Co. if requested.